

Q60



INFINITI

# THE DRIVE FOR THE DRIVEN



Engineered for those who are driven by fearless forward progress, the Q60 is a next-generation performance coupe that heightens your senses emotionally, and aesthetically. If you are driven towards exhilarating power, you'll accelerate your way with a choice of a 300-hp or 400-hp twin-turbocharged V6 engine that can charge forward and pass with confidence. When the twists and turns of the path ahead demand that you adapt, an INFINITI world's first digital steering system<sup>2</sup> makes cornering feel smooth and instinctual, while Dynamic Digital Suspension<sup>4</sup> can adjust to the road and the driver in real time to yield the best response for the moment. When you have the drive for success, to keep moving, and to create a path for others to follow, you'll do it by exhibiting daring curves and inspiring lines on city streets and beyond.

This is performance that speaks for itself.

**LUXURY SHOULD BE LIVED IN**



**▲ ROLL WITH DISTINCTION** **1** 19-inch Split 5-Spoke Aluminum-Alloy Wheels **2** 20-inch Staggered Aluminum-Alloy Sport Wheels **3** 19-inch 5-Spoke Aluminum-Alloy Wheels with dark black accent<sup>1</sup>



## ▲ EVERY LINE CAPTURES AN EMOTION

The sight of a Q60 stirs something deep inside. You sense it when gazing upon its dramatic creases and distinctive shapes. You anticipate it when looking over its athletic stance. With a sleek body that stands low and wide, the Q60 conveys exciting performance. With the Q60 RED SPORT,<sup>1</sup> select elements dial up its sporting presence. Wide, summer performance tires on 20-inch Alloy Wheels provide impressive levels of grip, while red brake calipers add some eye-catching flair.<sup>2</sup> Sports exhaust tips exit from the lower rear bumper and sing an engaging tune as the engine powers through its rev range.



## ▲ 300-HP OR 400-HP. EXHILARATION FROM THE START

Press the Push Button Start and feel the power of a 3.0-liter twin-turbocharged V6 come to life. Featuring turbochargers designed to respond quickly to driver throttle input and a speed sensor to help increase boost pressure, the engine in the RED SPORT raises output from 300 hp to 400 hp. The water-cooled air travels a short path to the engine so it stays more dense for more power – and an infinite rush.<sup>1</sup> The 7-speed automatic transmission can match engine RPMs to gear speeds for smooth downshifts.

\* INFINITI has taken care to ensure that the color swatches presented here are the closest possible representations of actual vehicle colors. Swatches may vary slightly due to the printing process and whether viewed in daylight, fluorescent or incandescent light. Please see the actual colors at your local INFINITI retailer.

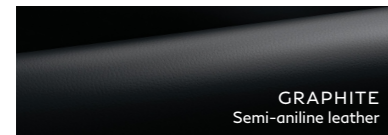
## EXTERIOR COLORS\*



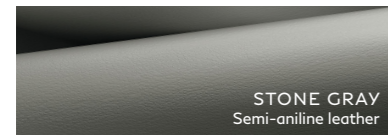
## ▲ PAINT WITH PERSONALITY

From sophisticated to dynamic, color inspires your own personal style.

#### INTERIOR COLOR/MATERIAL\*1



GRAPHITE  
Semi-aniline leather



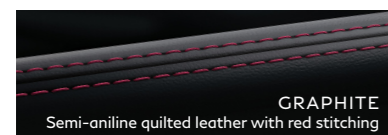
STONE GRAY  
Semi-aniline leather



GALLERY WHITE  
Semi-aniline quilted leather with red stitching

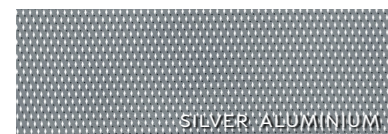


MONACO RED  
Semi-aniline quilted leather with black stitching

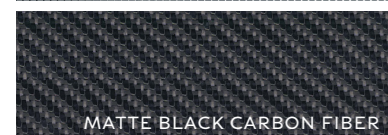


GRAPHITE  
Semi-aniline quilted leather with red stitching

#### INTERIOR TRIM\*1



SILVER ALUMINIUM



MATTE BLACK CARBON FIBER

**^ EVERY CHOICE IS BOLD** A rich and modern palette is the foundation for a premium space. Engage the senses with a striking combination of sight and touch.

\* INFINITI has taken care to ensure that the color swatches presented here are the closest possible representations of actual vehicle colors. Swatches may vary slightly due to the printing process and whether viewed in daylight, fluorescent or incandescent light. Please see the actual colors at your local INFINITI retailer.



## FORM FIT TO PERFORM

Performance drivers know the feeling of a good pair of driving gloves – personal, fitted and above all, comfortable. This kind of tailored design and craftsmanship was the vision behind the cockpit. High-back bolstered seats offer greater thigh, lumbar and lateral support to enhance your in-control feel. Contrast stitching<sup>3</sup> found on the leather-wrapped steering wheel and shifter complement the contact points of your hand, while available semi-aniline leather appointments<sup>3</sup> provide durable and soft seating surfaces. Dual screen displays are ergonomically positioned to relay information and make for easy driver input. This is an exclusive space for drivers, capturing the spirit of a premium sport coupe.

#### ▼ SYNC YOUR LIFE HERE

INFINITI InTouch™<sup>2</sup> with wireless Apple CarPlay®\*\* integration<sup>12</sup> lets you bring the iPhone® experience along for the ride. Or make your Android Auto™\*\*\* compatible phone your preferred driving companion.



Either way, your focus is priority with dual screens that display navigation up top near your line of sight, and features like climate controls down below.

\* Apple CarPlay® and Android Auto™ availability depend on license agreement with the respective country's government.  
\*\* Apple CarPlay® and Android Auto™ features and functionality vary by region.



Bose® Performance Series Audio<sup>3</sup>

**EVOLVE YOUR DRIVE** INFINITI drive assist technologies were engineered to help reduce driving stress. Available systems such as Blind Spot Warning and Lane Departure Warning can alert you to potential hazards,<sup>6,16</sup> while Lane Departure Prevention and Blind Spot Intervention<sup>8</sup> utilize automated steering input to help you stay in your lane.<sup>6,16</sup> For ease in traffic, driving aids such as Intelligent Cruise Control (Full-Speed Range) can automatically adjust your speed to the flow of traffic.<sup>5</sup> Innovations like these help make the driving experience as enlightening as it is engaging.

**HANDLING IS PERSONAL** With two steering and two suspension systems, the path to agility is yours to customize. Select either Rack Electronic Power Steering with Sport mode for a lively response. Or go digital with available Direct Adaptive Steering,<sup>9</sup> and feel how easy it is to carve a perfect turn.<sup>1</sup> The choice of suspension is equally empowering. Independent front and rear suspension gives you a smooth level ride while Dynamic Digital Suspension, on Q60 RED SPORT,<sup>1</sup> recalibrates the balance between comfort and performance electronically as adjustable dampers react in real time to changing road demands and driver input.



# LUXE - BLACK EDITION<sup>1</sup>



**BLACK'S BACK IN STYLE**

## DARE TO GO ALL BLACK

Introducing the Black Edition, with dark finish wheels that stop bystanders in their tracks, to dark chrome details that will dare you to take on the roads with attitude, and Black Edition badging so no one mistakes you for midnight itself.

## SPEAKS VOLUME

Technology that feels human and delivers beyond the expected. Stay smarter and more responsible on every drive with Apple CarPlay<sup>®</sup>™ integration<sup>12</sup>. Voice command function that fulfils more wishes than a genie would, while still keeping you in control of your drive.



Build your vehicle at [infiniti-me.com](https://www.infiniti-me.com)



## ONLY ON THE DARK SIDE

- Memory heated electric folding mirrors with black gloss color with reverse link
- Dark chrome side molding
- Dark chrome radiator grill
- Dark chrome side fender
- Fog lamp finisher in dark chrome
- 19-inch 5-Spoke Aluminum-Alloy Wheels with dark black accent

# TRIM LEVELS & PACKAGES

## Q60 LUXE

### MECHANICAL AND PERFORMANCE

- 3.0-liter V6 twin-turbo engine
- 7-speed automatic transmission
- Standard suspension
- Front & rear stabilizer
- Standard brakes
- At synchronized rev. control
- INFINITI drive mode selector
- Rear-Wheel Drive (RWD)

### EXTERIOR

- Sport front bumper
- Standard rear bumper
- Door waist molding in chrome
- Front & rear mud guard
- Outside door handles in body color & chrome - I-key support front & welcome lamp
- Dual Exhaust Tailpipes with Chrome Finisher

### INTERIOR

- Finevision meter with TFT car information display
- Standard leather steering
- Electrical tilt & telescopic steering wheel with memory
- Shift lever knob in leather
- Foot release park brake
- Standard pedal
- Standard foot-rest
- INFINITI Intelligent Key (I-key) - keyless entry system with push button ignition
- Window opening both sides front & rear one-touch up & down I-key linked open & close system
- Driver & passenger sunvisor with card holder, illumination, vanity mirror, extension
- Front headrest 1-way adjustable (up & down)
- Rear headrest 2-fixed type (left/right)
- Front armrest console with cupholders
- Without ashtray and cigarette lighter
- Rear bench seats with armrest including cup holder & trunk through
- Sport seats
- Semi-aniline leather seats
- Driver seat 8-way power adjustable with thigh support, power lumbar, side support & memory
- Driver seat back pocket
- Passenger seat 8-way power adjustable
- Passenger seat back pocket

- Heated front seat
- Headliner in black
- Electric assisted ingress/egress mechanism for easy access to rear seats
- Front door pocket (fixed lid type with bottle holder)
- Roof console (sunglass holder + map lamp + mic)
- Glove box with damper + illumination + lock
- 2 pieces coat hanger on rear seat assist grip (right & left)
- Electric assisted ingress/egress mechanism for easy access to rear seats
- Ambient lighting
- Silver aluminium trim
- Aluminum kicking plate - front
- 12v\*2 (in console box\*1, cluster-c lower\*1)
- Dual zone Auto Climate Control<sup>17</sup> with Plasmacluster<sup>13</sup> deodorization treatment & auto recirculation
- Grape polyphenol filter
- Rear A/C vent

### VISIBILITY

- Exterior mirrors electric folding, heated, body color, reverse link with memory
- Rear defogger with timer
- Interior rear view mirror with auto dimming
- Front LED headlamp with high & low high beam
- LED daytime running lights
- Auto levelizer
- LED front & rear fog lamp
- Enhanced auto light, auto hazard
- LED type rear combination lamps
- LED side turn lamp integrated outside door mirror
- Intermittent front wiper with speed & rain sensing

### AUDIO & NAVIGATION

- 1 CD/DVD AM/FM, SSV, AUX, USB
- 6 speakers
- INFINITI InTouch™<sup>2</sup> P-IVI<sup>12</sup>
- Smartphone integration (wireless Apple CarPlay<sup>®</sup>™\* & wired Android Auto™\*\*\*)
- Wireless charger\*\*\*
- Voice command function
- Aux (mini-jack) & USB\*2, Bluetooth<sup>®</sup> & smart phone connection

### WHEELS & TIRES

- Run flat summer tires 255/40 R19
- 19-inch Split 5-Spoke Aluminum-Alloy Wheels

Package: **5**

### SAFETY

- Advanced driver & passenger airbag
- Front side airbag + curtain airbag
- 3-Point ELR front seat belts with pretensioners & load limiter
- Isofix + tether
- Immobilizer + anti-theft alarm
- ABS & EBD (anti-locking braking system)
- Assist brake
- TCS (traction control system)
- VDC (with cancel switch, brake boost assist, side brake force distribution, HSA)
- LED high mounting stop lamp
- Seat belt reminder for front seats
- Parking sensor: front & rear
- Rear view monitor
- Cruise control
- Tire pressure warning
- Power Steering (EPS)
- Active noise control & active sound creator
- ASA - Active stability assist

## Q60 RED SPORT

Includes all Q60 LUXE features, plus:

### MECHANICAL AND PERFORMANCE

- Electronically controlled shock absorbers
- Sports brakes with red callipers

### EXTERIOR

- Electric sunroof- I-key linked open/close system
- Radiator grill & surround in black

### INTERIOR

- Paddle shifters
- Aluminium foot pedals
- Aluminium foot-rest
- Semi-aniline leather seats with red contrast stitching
- Black matte carbon trim

### VISIBILITY

- Exterior mirrors electric folding, heated, black gloss color, reverse link with memory
- Adaptive lighting system & smart beam

### AUDIO & NAVIGATION

- Bose<sup>®</sup> Performance Series Audio<sup>1</sup> System with 13 speakers
- INFINITI InTouch™<sup>2</sup> P-IVI<sup>12</sup> navigation system with 3D maps & voice recognition<sup>4</sup>

### WHEELS & TIRES

- Aluminum spare wheel
- 20-inch Staggered Aluminum-Alloy Sport Wheels

### SAFETY

- 3-Point ELR front pre-crash seat belts with pretensioners & load limiter
- Around View<sup>®</sup> Monitor<sup>9,10</sup>
- Intelligent Cruise Control<sup>5</sup> with Distance Control Assist<sup>15</sup>
- Eco pedal
- Lane Departure Warning & Prevention<sup>16</sup>
- Blind Spot Warning & Intervention<sup>6</sup>
- Backup Collision Intervention<sup>8</sup>
- Forward Collision Warning with Forward Emergency Braking with Pedestrian<sup>14</sup>
- Predictive Forward Collision Warning<sup>7</sup>
- Direct Adaptive Steering<sup>®</sup> (DAS)

Package: **1 2 3 4**

## PACKAGES<sup>1</sup>

### 1 SENSORY Package

- INFINITI InTouch™<sup>2</sup> P-IVI<sup>12</sup> navigation system with 3D maps & voice recognition<sup>4</sup>
- Bose<sup>®</sup> Performance Series Audio<sup>1</sup> System with 13 speakers

### 2 Visibility Package

- Around View<sup>®</sup> Monitor<sup>9,10</sup>
- Adaptive lighting system & smart beam

### 3 ProACTIVE Package

- Intelligent Cruise Control<sup>5</sup> with Distance Control Assist<sup>15</sup>
- Forward Collision Warning with Forward Emergency Braking with Pedestrian<sup>14</sup>
- Predictive Forward Collision Warning<sup>7</sup>
- Blind Spot Warning & Intervention<sup>6</sup>
- Backup Collision Intervention<sup>8</sup>

- Lane Departure Warning & Prevention<sup>16</sup>
- Eco pedal
- 3-Point ELR front pre-crash seat belts with pretensioners & load limiter

### 4 RED SPORT Package

- Exterior mirrors in black color
- Electronically controlled shock absorbers
- Direct Adaptive Steering<sup>®</sup> (DAS)
- Paddle shifters
- Semi-aniline leather seats with red contrast stitching
- Aluminium foot pedals
- Aluminium foot-rest
- Radiator grill & surround in black
- 20-inch Staggered Aluminum-Alloy Sport Wheels
- Sports brakes with red callipers
- Dual exhaust tail pipe sport type

### 5 BLACK EDITION Package

- Memory heated electric folding mirrors with black gloss color with reverse link
- Dark chrome side molding
- Dark chrome radiator grill
- Dark chrome side fender
- Fog lamp finisher in dark chrome
- 19-inch 5-Spoke Aluminum-Alloy Wheels with dark black accent

\* Apple CarPlay<sup>®</sup> and Android Auto™ availability depend on license agreement with the respective country's government.  
\*\* Apple CarPlay<sup>®</sup> and Android Auto™ features and functionality vary by region.  
\*\*\* Installed at PDI.

# TECHNICAL SPECS

## PERFORMANCE

LUXE / BLACK EDITION – horsepower / torque	300-hp at 400 Nm
RED SPORT – horsepower / torque	400-hp at 475 Nm
LUXE / BLACK EDITION – Brakes (front and rear) (mm)	320 mm front / 308 mm rear ventilated discs with steel front callipers (2-piston front, single piston rear)
RED SPORT – Brakes (front and rear) (mm)	355 mm front / 350 mm rear ventilated discs with aluminium opposed front callipers (4-piston front, 2-piston rear)

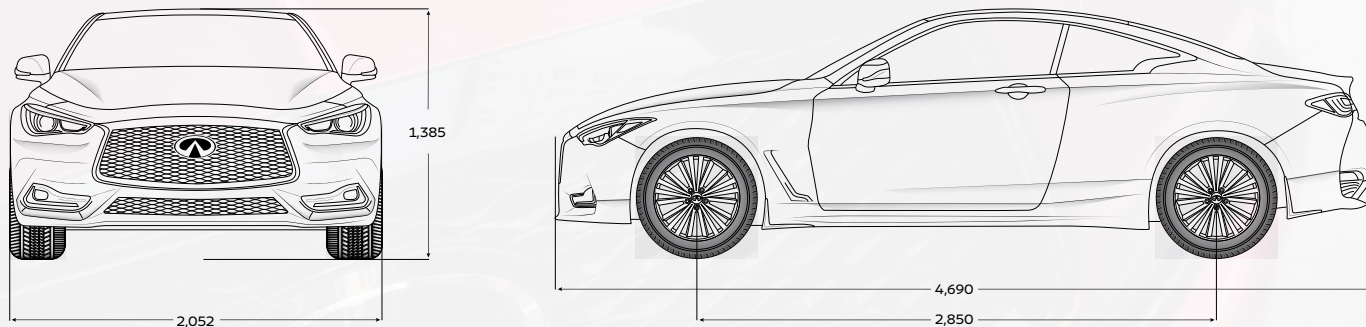
## INTERIOR DIMENSIONS

LUXE/RED SPORT – Luggage volume <sup>18</sup> (Liters)	246.4 / 342
Leg room – front / rear (mm)	1,094.7 / 823
LUXE / BLACK EDITION - Head room (without sunroof) – front / rear (mm)	962.7 / 876.3
RED SPORT – Head room (with sunroof) – front / rear (mm)	949.96 / 876.3

## FUEL ECONOMY

Fuel capacity (Liters)	76
------------------------	----

See [infiniti-me.com](http://infiniti-me.com) for complete list of specifications.



All dimensions are measured in mm.

This brochure is intended for general descriptive and informational purposes only. It is subject to change and does not constitute an offer, representation or warranty (express or implied) by INFINITI Middle East. Interested parties should confirm the accuracy of any information in this brochure as it relates to a vehicle directly with INFINITI retailer before relying on it to make a purchase decision. INFINITI Middle East, reserves the right to make changes, at any time, without prior notice, in prices, colors, materials, equipment, specifications, and models and to discontinue models or equipment. Due to continuous product development and other pre- and post-production factors, actual vehicle, materials and specifications may vary from this brochure. Some vehicles shown with optional equipment. See the actual vehicle for complete accuracy. Availability and delivery times for particular models or equipment may vary. Specifications, options and accessories may differ in other countries. For additional information on availability, options or accessories, see your INFINITI retailer or visit [INFINITI-me.com](http://INFINITI-me.com).

**1** Available on select models. **2** If equipped, your vehicle may include INFINITI InTouch™ connected features and services such as Navigation, Bluetooth® and other connected features that can be viewed by model on the INFINITI InTouch™ website here: <https://www.INFINITI-me.com/intouch.html>. **3** Parking aid/convenience feature. Cannot completely eliminate blind spots. May not detect every object and does not warn of moving objects. Always check surroundings and turn to look behind you before moving vehicle. **4** Never program while driving. GPS mapping may not be detailed in all areas or reflect current road status. **5** Intelligent Cruise Control is not a collision avoidance system or warning device. Designed to use limited braking. Failure to apply the brakes could result in an accident. **6** Blind Spot Warning and Blind Spot Intervention® Systems cannot prevent all collisions and may not detect every object or warn in all situations. Driver should always turn and look before changing lanes. See Owner's Manual for safety information. **7** Predictive Forward Collision Warning is intended to warn you before a collision occurs; it cannot prevent a collision. Speed & other limitations apply. See Owner's Manual for safety information. **8** Backup Collision Intervention may not detect every object. Driver should always turn and check surroundings before driving. See Owner's Manual for safety information. **9** Around View® Monitor with Moving Object Detection cannot eliminate blind spots and may not detect every object. Driver should always turn and check surroundings before driving. See Owner's Manual for safety information. **10** Virtual composite 360° view. **11** Intelligent All-Wheel Drive cannot prevent collisions or provide enhanced traction in all conditions. Always monitor traffic and weather conditions. **12** Driving is serious business and requires your full attention. If you have to use the connected device while driving, exercise extreme caution at all times so full attention may be given to vehicle operation. **13** Plasmacluster air purifier helps scrub the air in the vehicle's interior. The system senses exterior odors, suppresses unpleasant interior odors, stops the inflow of external odors and helps keep the cabin smelling fresh, but does not always eliminate odors. **14** Forward Emergency Braking cannot prevent all collisions and may not provide warning or braking in all conditions. Driver should monitor traffic conditions and brake as needed to prevent collisions. See Owner's Manual for safety information. **15** Distance Control Assist uses limited braking and is not a collision avoidance or warning system. Driver should monitor traffic conditions and brake as needed to prevent collisions. See Owner's Manual for safety information. **16** Lane Departure Warning and Lane Departure Prevention Systems only operate when lane markings are detectable. See Owner's Manual for safety information. **17** The Advanced Climate Control System with Plasmacluster air purifier helps scrub the air in the vehicle's interior. The system senses exterior odors, suppresses unpleasant interior odors, stops the inflow of external odors and helps keep the cabin smelling fresh, but does not always eliminate odors. **18** Cargo and load capacity limited by weight and distribution. Always secure all cargo.