



2022
**COLORADO
COMMERCIAL**

Don't let the size fool you.

The maneuverable Colorado is the midsize pickup that's all Chevy truck. It's built on the backbone of a fully boxed high-strength steel frame with seven cross members and offers a choice of three powertrain options. Add in truck-proven technologies like Electric Power Steering, StabiliTrak® Electronic Stability Control System and Auto Grade Braking, along with a comfortable interior, and you're ready for the big time.



Colorado Crew Cab Short Box WT 4x4 in Summit White. Certain vehicles may be built with a painted Black grille bar; see dealer for details.

INTRODUCING COLORADO

Colorado at a glance.

- 2.5L 4-cylinder engine with 200 horsepower and 191 lb.-ft. of torque
- Available 3.6L V6 engine with 308 horsepower and 275 lb.-ft. of torque
- Available Duramax® 2.8L Turbo-Diesel I-4 engine with 181 horsepower and 369 lb.-ft. of torque, offering 30 MPG highway¹
- Maximum trailer weight rating of 7,700 lbs² with available Duramax 2.8L Turbo-Diesel I-4 engine
- Maximum payload of 1,540 lbs³ with available 3.6L V6 engine
- Available Trailering Package and integrated trailer brake controller
- Available automatic locking rear differential
- 4-wheel antilock disc brakes with Duralife® rotors
- Four standard fixed lower tie-downs with an additional 13 available
- Available factory-installed spray-on bedliner
- Fleet Safety Package⁴, available on LT, includes Forward Collision Alert⁵, Lane Departure Warning⁵ and Automatic Emergency Braking⁵



Colorado Crew Cab Long Box WT in Summit White with available features and dealer-installed Chevrolet Accessories^{6,7}



Rear seatbacks on Crew Cab models fold down for extra storage space.

¹ EPA-estimated MPG city/highway: Colorado 2WD with available Duramax 2.8L Turbo-Diesel engine 20/30. ² Certain vehicles may be built with a painted Black grille bar; see dealer for details. Requires Colorado Extended Cab WT 4x4 with available Trailering Package and WT Convenience Package (requires Fleet or Government order) or Colorado Crew Cab Short Box LT 2WD with available Trailering Package, LT Convenience Package and Safety Package. Maximum trailering ratings are intended for comparison purposes only. Before you buy a vehicle or use it for trailering, carefully review the Trailering section of the Owner's Manual. The trailering capacity of your specific vehicle may vary. The weight of passengers, cargo and options or accessories may reduce the amount you can trailer. ³ Requires Colorado Crew Cab Short Box WT 2WD or LT 2WD with available 3.6L V6 engine. These maximum payload ratings are intended for comparison purposes only. Before you buy a vehicle or use it to haul people or cargo, carefully review the Vehicle Loading section of the Owner's Manual and check the carrying capacity of your specific vehicle on the label on the inside of the driver door jamb. ⁴ Restrictions apply. See your dealer for details. ⁵ Safety or driver assistance features are no substitute for the driver's responsibility to operate the vehicle in a safe manner. Read the vehicle Owner's Manual for important feature limitations and information. ⁶ Chevrolet Accessories are dealer-installed and covered by the GM 3-year/36,000-mile (whichever comes first) New Vehicle Limited Warranty when ordered with your new Colorado. See your dealer for details. ⁷ Certain Colorado WT models may be built with a painted Black grille bar; see dealer for details.

MODEL AVAILABILITY

● STANDARD – NOT AVAILABLE

EXTENDED CAB



Actual production vehicle may vary.

TRIM	2WD	4x4	STANDARD ENGINE	AVAILABLE ENGINES	MAX PAYLOAD RATING (LBS.) ¹	MAX TRAILERING WEIGHT RATING (LBS.) ²
WT	●	–	2.5L I-4	3.6L V6	1,530 ³	7,000 ^{3,4}
WT	–	●	2.5L I-4	3.6L V6, Duramax 2.8L I-4 ⁵	1,500 ³	7,700 ^{4,6}
LT	●	–	2.5L I-4	3.6L V6	1,540 ³	7,000 ^{3,4}
LT	–	●	2.5L I-4	3.6L V6	1,490 ³	7,000 ^{3,4}
Z71	–	●	3.6L V6	–	1,460	7,000 ⁴
ZR2	–	●	3.6L V6	Duramax 2.8L I-4	1,350 ⁷	5,000

CREW CAB SHORT BOX



TRIM	2WD	4x4	STANDARD ENGINE	AVAILABLE ENGINES	MAX PAYLOAD RATING (LBS.) ¹	MAX TRAILERING WEIGHT RATING (LBS.) ²
WT	●	–	2.5L I-4	3.6L V6	1,540 ³	7,000 ^{3,4}
WT	–	●	3.6L V6	Duramax 2.8L I-4 ⁵	1,530	7,600 ^{4,6}
LT	●	–	2.5L I-4	3.6L V6, Duramax 2.8L I-4	1,540 ³	7,700 ^{4,6}
LT	–	●	3.6L V6	Duramax 2.8L I-4	1,500 ⁷	7,600 ^{4,6}
Z71	●	–	3.6L V6	–	1,490	7,000 ⁴
Z71	–	●	3.6L V6	Duramax 2.8L I-4	1,450 ⁷	7,600 ^{4,6}
ZR2	–	●	3.6L V6	Duramax 2.8L I-4	1,240 ⁷	5,000

CREW CAB LONG BOX



Actual production vehicle may vary.

TRIM	2WD	4x4	STANDARD ENGINE	AVAILABLE ENGINES	MAX PAYLOAD RATING (LBS.) ¹	MAX TRAILERING WEIGHT RATING (LBS.) ²
WT	●	–	3.6L V6	–	1,480	7,000 ⁴
WT	–	●	3.6L V6	Duramax 2.8L I-4 ⁵	1,460 ⁷	7,600 ^{4,6}
LT	●	–	3.6L V6	–	1,480	7,000 ⁴
LT	–	●	3.6L V6	Duramax 2.8L I-4	1,450 ⁷	7,600 ^{4,6}
Z71	–	●	3.6L V6	Duramax 2.8L I-4	1,400 ⁷	7,600 ^{4,6}

¹ These maximum payload ratings are intended for comparison purposes only. Before you buy a vehicle or use it to haul people or cargo, carefully review the Vehicle Loading section of the Owner's Manual and check the carrying capacity of your specific vehicle on the label on the inside of the driver door jamb. ² Maximum trailering ratings are intended for comparison purposes only. Before you buy a vehicle or use it for trailering, carefully review the Trailering section of the Owner's Manual. The trailering capacity of your specific vehicle may vary. The weight of passengers, cargo and options or accessories may reduce the amount you can trailer. ³ Requires available 3.6L V6 engine. ⁴ Requires available Trailering Package. ⁵ Requires Fleet or Government order. ⁶ Requires available Duramax 2.8L I-4 engine. ⁷ Requires 3.6L V6 engine.

STANDARD EQUIPMENT

Standard on every Colorado:

MECHANICAL

Battery – with rundown protection and retained accessory power

Brakes – 4-wheel antilock disc with Duralife® rotors

Frame – fully boxed

StabiliTrak® – Electronic Stability Control System and Traction Control; includes Hill Start Assist

Steering – rack-and-pinion with Electric Power Steering (EPS) assist

EXTERIOR

Bumper – rear CornerSteps (excludes ZR2)

Cargo box light – back of cab

Daytime running lamps

Fuel filler – capless fueling (gas engine)

Headlamps – halogen with automatic on/off with automatic delay; projector-beam on Z71 and ZR2

Moldings – Black beltline

INTERIOR

Airbags¹ – dual-stage frontal airbags for driver and front passenger; seat-mounted side-impact airbags for driver and front passenger; head-curtain airbags for front and rear outboard seating positions; includes front Passenger Sensing System for frontal passenger airbag

Audio – 6-speaker system

Connectivity – Bluetooth® phone connectivity and wireless audio streaming²

Console – front center floor

Door locks – power programmable with lockout protection and rear door child security

Driver Information Center

Floor mats – front and rear, carpeted

Instrument cluster – with speedometer, fuel level, engine temperature and tachometer

Media – two USB ports³ and auxiliary input jack in front center floor console

Power outlet – 12-volt auxiliary, front

Seats – front bucket
– dual rear with underseat storage (Extended Cab)
– rear folding bench (Crew Cab)

SiriusXM®⁴ – 3-month trial subscription

Teen Driver technology⁵

Temperature display – outside

Theft-deterrent system – engine immobilizer

Tire Pressure Monitoring System – with Tire Fill Alert (does not apply to spare tire)

Windows – power with driver express-up/-down, all others express-down

¹ A NOTE ON CHILD SAFETY: Always use seat belts and the correct child restraint for your child's age and size, even with airbags. Even in vehicles equipped with the Passenger Sensing System, children are safer when properly secured in a rear seat in the appropriate infant, child or booster seat. Never place a rear-facing infant restraint in the front seat of any vehicle equipped with an active frontal airbag. See your vehicle Owner's Manual and the child safety seat instructions for more safety information. ² Go to my.chevrolet.com/learnAbout/bluetooth to find out which phones are compatible with the vehicle. Full Bluetooth feature functionality varies by device, model and software version. ³ Not compatible with all devices. ⁴ If you decide to continue service after your trial, your selected subscription plan will automatically renew thereafter. You will be charged at then-current rates. Fees and taxes apply. To cancel you must call SiriusXM at 1-866-635-2349. See SiriusXM Customer Agreement for complete terms at siriusxm.com. All fees and programming subject to change. ⁵ Safety or driver assistance features are no substitute for the driver's responsibility to operate the vehicle in a safe manner. Read the vehicle Owner's Manual for important feature limitations and information.

ENGINE SPECIFICATIONS



2.5L DOHC I-4

Standard on WT and LT Extended Cab, and WT and LT Crew Cab Short Box 2WD.

6-speed automatic transmission

200 hp @ 6300 rpm

191 lb.-ft. of torque @ 4400 rpm

Displacement: 2460 cc (150 cu. in.)

Bore and stroke: 88 mm x 101 mm (3.46 in. x 3.97 in.)

Compression ratio: 11.3:1

Block: Cast-aluminum

Cylinder head: Cast-aluminum

Valvetrain: Dual-overhead camshafts with 4 valves per cylinder and Variable Valve Timing (VVT)

Fuel delivery: Direct Injection

Max payload rating: 1,420 lbs.^{1,2}

Max trailering weight rating: 3,500 lbs.³

EPA-estimated fuel economy – 2WD: 19 MPG city/25 highway

EPA-estimated fuel economy – 4x4: 19 MPG city/24 highway



3.6L DOHC V6

Standard on WT and LT Crew Cab Short Box 4x4, WT and LT Crew Cab Long Box, Z71, and ZR2.

8-speed automatic transmission

308 hp @ 6800 rpm

275 lb.-ft. of torque @ 4000 rpm

Displacement: 3640 cc (222 cu. in.)

Bore and stroke: 95 mm x 85.6 mm (3.74 in. x 3.37 in.)

Compression ratio: 11.5:1

Block: Cast-aluminum

Cylinder head: Cast-aluminum

Valvetrain: Dual-overhead camshafts with 4 valves per cylinder and Variable Valve Timing (VVT)

Fuel delivery: Direct Injection

Max payload rating: 1,540 lbs.^{1,4}

Max trailering weight rating: 7,000 lbs.^{3,5}

EPA-estimated fuel economy – 2WD: 18 MPG city/25 highway

EPA-estimated fuel economy – 4x4: 17 MPG city/24 highway

EPA-estimated fuel economy – ZR2: 16 MPG city/18 highway



DURAMAX 2.8L TURBO-DIESEL I-4

Available on WT Extended Cab 4x4⁶; LT Crew Cab Short Box, LT Crew Cab Long Box 4x4, Z71 Crew Cab 4x4 and ZR2.

6-speed automatic transmission

181 hp @ 3400 rpm

369 lb.-ft. of torque @ 2000 rpm

Displacement: 2776 cc (169 cu. in.)

Bore and stroke: 94 mm x 100 mm (3.70 in. x 3.94 in.)

Compression ratio: 16.5:1

Block: Cast-iron

Cylinder head: Cast-aluminum

Valvetrain: Dual-overhead camshafts with 4 valves per cylinder

Fuel delivery: High-pressure, common rail Direct Injection

Max payload rating: 1,480 lbs.^{1,7}

Max trailering weight rating: 7,700 lbs.^{3,7}

EPA-estimated fuel economy – 2WD: 20 MPG city/30 highway

EPA-estimated fuel economy – 4x4: 19 MPG city/28 highway

EPA-estimated fuel economy – ZR2: 18 MPG city/22 highway

¹ These maximum payload ratings are intended for comparison purposes only. Before you buy a vehicle or use it to haul people or cargo, carefully review the Vehicle Loading section of the Owner's Manual and check the carrying capacity of your specific vehicle on the label on the inside of the driver door jamb. ² Requires Colorado Crew Cab LT 2WD. ³ Maximum trailering ratings are intended for comparison purposes only. Before you buy a vehicle or use it for trailering, carefully review the Trailering section of the Owner's Manual. The trailering capacity of your specific vehicle may vary. The weight of passengers, cargo and options or accessories may reduce the amount you can trailer. ⁴ Requires Colorado Crew Cab Short Box WT 2WD or Colorado Crew Cab Short Box LT 2WD. ⁵ Requires available Trailering Package. ⁶ Requires Fleet or Government order. ⁷ Requires Colorado Extended Cab WT 4x4 or Crew Cab Short Box LT 2WD.

EXTERIOR COLORS



Summit White



Satin Steel Metallic



Sand Dune Metallic¹



Bright Blue Metallic²



Black

¹ Not available on WT or LT. ² Extra-cost color.

INTERIOR COLORS

WT INTERIOR COLORS



Dark Ash Vinyl

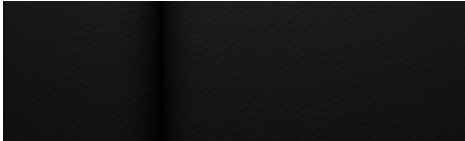


Dark Ash Cloth

LT INTERIOR COLORS



Jet Black Cloth



Jet Black Leather-Appointed Front Seating Surfaces¹

Z71 INTERIOR COLORS

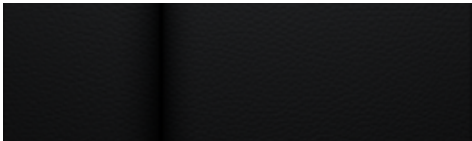


Jet Black Cloth/Leatherette



Jet Black Leather-Appointed Front Seating Surfaces²

ZR2 INTERIOR COLOR



Jet Black Leather-Appointed Front Seating Surfaces

¹ Available on Crew Cab models only. Requires available Luxury Package. ² Extra-cost interior. Available on Crew Cab models only.

WHEELS



17" Ultra Silver Metallic-Painted Steel Wheels
Standard on WT



17" Blade Silver Metallic-Painted Aluminum Wheels
Standard on LT; available on WT¹



17" Bright Mached-Aluminum Wheels
Standard on Z71



17" Graphite and Oxide Gold Aluminum Wheels
Standard on ZR2



17" Gloss Black-Painted Aluminum Wheels
Available on Z71² and ZR2³



17" AEV-Designed Dark Graphite Aluminum Wheels
Available on ZR2 with ZR2 Bison Edition



18" Dark Argent Metallic-Painted Aluminum Wheels
Available on WT with Custom Special Edition and on LT



18" Black-Painted Aluminum Wheels with Red Accents
Available on LT with Redline Edition

¹ WT requires available 4x4, Duramax 2.8L Turbo-Diesel I-4 engine and Fleet or Government order. ² Z71 requires available Z71 Midnight Edition. ³ ZR2 requires available ZR2 Dusk Special Edition or ZR2 Midnight Special Edition.

SPECIFICATIONS

● STANDARD ○ AVAILABLE – NOT AVAILABLE

	WT	LT	Z71	ZR2
SAFETY AND DRIVER ASSISTANCE				
Airbags ¹ – dual-stage frontal airbags for driver and front passenger; seat-mounted side-impact airbags for driver and front passenger; head-curtain airbags for front and rear outboard seating positions; includes front Passenger Sensing System for frontal passenger airbag	●	●	●	●
Automatic Emergency Braking ² (requires available Fleet Safety Package and Fleet or Government order)	–	○	–	–
Buckle to Drive (requires Fleet or Government order)	○	○	○	–
Forward Collision Alert ² (requires available Safety Package)	–	○	○	–
Lane Departure Warning ² (requires available Safety Package)	–	○	○	–
Rear Park Assist ² (feature will not function on certain models without dealer retrofit; see dealer or window label for details) (requires available WT Convenience Package on WT; requires available Safety Package on LT)	○	○	●	–
Rear Vision Camera ²	●	●	–	–
HD Rear Vision Camera ² (requires available Chevrolet Infotainment 3 Plus system ³ with Navigation ⁴ on LT)	–	○	●	●
Teen Driver technology ²	●	●	●	●
Theft-deterrent system – engine immobilizer	●	●	●	●
– unauthorized entry (requires available WT Convenience Package on WT)	○	●	●	●
Tire Pressure Monitoring System – with Tire Fill Alert (does not monitor spare tire)	●	●	●	●
Up to 3 months of OnStar [®] Safety & Security coverage ⁵	○	●	●	●
MECHANICAL				
Battery – with rundown protection and retained accessory power	●	●	●	●
Brakes – 4-wheel antilock disc with Duralife rotors	●	●	●	●
Differential – automatic locking rear (standard on Crew Cab Long Box WT and LT; available with 2.5L DOHC 4-cylinder engine or 3.6L DOHC V6 engine on Extended Cab and Crew Cab Short Box WT and LT; required with Duramax 2.8L Turbo-Diesel I-4 engine on Crew Cab Short Box LT; requires available Trailing Package on WT and LT)	○	○	●	–
– driver-selectable full locking front and rear	–	–	–	●

	WT	LT	Z71	ZR2
MECHANICAL (CONTINUED)				
Engine – 2.5L DOHC 4-cylinder with Variable Valve Timing (VVT) and Direct Injection; 200 hp @ 6300 rpm, 191 lb.-ft. of torque @ 4400 rpm (standard on Crew Cab Short Box 2WD and Extended Cab models)	●	●	–	–
– 3.6L DOHC V6 with Variable Valve Timing (VVT) and Direct Injection; 308 hp @ 6800 rpm, 275 lb.-ft. of torque @ 4000 rpm (standard on Crew Cab WT and LT 4x4, and Crew Cab Long Box WT and LT 2WD models)	○	○	●	●
– Duramax 2.8L Turbo-Diesel DOHC I-4 with common rail Direct Injection; 181 hp @ 3400 rpm, 369 lb.-ft. of torque @ 2000 rpm; includes Diesel Exhaust Brake and integrated trailer brake controller; WT includes 17" Blade Silver Metallic-painted aluminum wheels (Crew Cab models only on LT, Z71 and ZR2; WT requires available 4x4, WT Convenience Package, Trailing Package, and Fleet or Government order; LT requires available Safety Package, LT Convenience Package and Trailing Package; LT 2WD also requires Short Box; Z71 requires available 4x4, Safety Package and Trailing Package)	○	○	○	○
Frame – fully boxed	●	●	●	●
Hill Descent Control	–	–	●	●
StabiliTrak – Electronic Stability Control System and Traction Control; includes Hill Start Assist	●	●	●	●
Steering – rack-and-pinion with Electric Power Steering (EPS) assist	●	●	●	●
Suspension – Z71 Off-Road Package	–	–	●	–
– Multimatic DSSV™ Damping System	–	–	–	●
Tow/Haul mode – includes Hitch Guidance ² with dynamic trailering assist guideline (standard on Crew Cab Long Box WT and LT; available with 3.6L V6 engine on Extended Cab and Crew Cab Short Box WT and LT; available with Duramax 2.8L Turbo-Diesel I-4 engine on Extended Cab and Crew Cab Short Box LT)	○	○	●	●
Trailer brake controller – integrated (included with available Duramax 2.8L Turbo-Diesel I-4 engine; requires available Trailing Package with 3.6L V6 engine)	○	○	○	●
Transfer case – electric, 2-speed (4x4 models)	●	–	–	–
– electric, 2-speed, Autotrac (4x4 models)	–	●	●	●
– transfer case shield (4x4 models) (requires available 4x4 and Fleet or Government order on WT)	○	–	●	●
Transmission – 6-speed automatic, electronically controlled with overdrive (included with 2.5L DOHC 4-cylinder engine and available Duramax 2.8L Turbo-Diesel I-4 engine)	●	●	○	○
– 8-speed automatic, electronically controlled with overdrive (included with 3.6L DOHC V6 engine)	○	○	●	●

¹ A NOTE ON CHILD SAFETY: Always use seat belts and the correct child restraint for your child's age and size, even with airbags. Even in vehicles equipped with the Passenger Sensing System, children are safer when properly secured in a rear seat in the appropriate infant, child or booster seat. Never place a rear-facing infant restraint in the front seat of any vehicle equipped with an active frontal airbag. See your vehicle Owner's Manual and the child safety seat instructions for more safety information.

² Safety or driver assistance features are no substitute for the driver's responsibility to operate the vehicle in a safe manner. Read the vehicle Owner's Manual for important feature limitations and information. ³ Chevrolet Infotainment System functionality varies by model. Full functionality requires compatible Bluetooth and smartphone, and USB connectivity for some devices. ⁴ Map coverage available in the United States, Puerto Rico and Canada. ⁵ When you select a monthly plan within 30 days of activating your 1-month trial, you'll receive the next 2 months of the plan you select at no additional charge when you associate an approved payment method on file to your account and authorize recurring payments for your service plan. The amount and frequency of each recurring payment is based upon the service(s) and payment interval(s) you select from the options provided. After the trial expires, OnStar will automatically bill your payment method monthly at then-current standard monthly rates. Plans containing 4G LTE data will be billed every 30 days by AT&T. You may cancel at any time by pushing your blue OnStar button or calling 1-888-466-7827. May not be combined with other offers or retroactively applied. Offer subject to change.

SPECIFICATIONS (CONTINUED)

● STANDARD ○ AVAILABLE – NOT AVAILABLE

	WT	LT	Z71	ZR2
EXTERIOR				
Bedliner – Black spray-on with Chevrolet logo; ZR2 includes ZR2 logo	○	○	○	●
Bumper – rear CornerSteps	●	●	●	–
– chrome, rear (requires available Chrome Appearance Package on LT)	●	○	–	–
– body-color, rear (requires available Custom Special Edition on WT)	○	●	●	–
– Black, rear	–	–	–	●
Cargo box light – back of cab	●	●	●	●
Daytime running lamps	●	●	●	●
Door handles – Black (requires available Redline Edition on LT)	●	○	●	–
– body-color (requires available Custom Special Edition on WT)	○	●	–	●
– chrome (requires available Chrome Appearance Package)	–	○	–	–
Fog lamps (requires available LT Convenience Package on LT; requires available ZR2 Bison Edition on ZR2)	–	○	●	○
Fuel filler – capless fueling (gas engine)	●	●	●	●
Grille – chrome front grille bar with Gold bowtie emblem (certain vehicles may be built with a painted Black grille bar; see dealer for details)	●	–	–	–
– Black front grille bar with Gold bowtie emblem	–	●	–	–
– chrome front grille bar with Black bowtie emblem and small Z71 badge	–	–	●	–
– Chevrolet lettered grille with small flowtie emblem	–	–	–	●
Headlamps – halogen with automatic on/off with automatic delay	●	●	–	–
– halogen with automatic on/off with automatic delay, projector-beam (requires available Luxury Package on LT)	–	○	●	●
Mirrors – manual-adjustable, manual-folding	●	–	–	–
– power-adjustable, manual-folding (requires available Custom Special Edition on WT)	○	●	–	–
– heated, power-adjustable, manual-folding (requires available LT Convenience Package on LT)	–	○	●	●
– Black caps (requires available Redline Edition on LT)	●	○	●	–
– body-color caps (requires available Custom Special Edition on WT)	○	●	–	●
– chrome caps (requires available Chrome Appearance Package)	–	○	–	–
– driver spotter mirror (requires available Custom Special Edition on WT)	○	●	●	●

	WT	LT	Z71	ZR2
EXTERIOR (CONTINUED)				
Moldings – Black beltline	●	●	●	●
– chrome beltline (requires available Chrome Appearance Package)	–	○	–	–
Recovery hooks ¹ – front (standard on WT and LT 4x4 models)	●	●	●	–
– Red, front (requires available Redline Edition on LT)	–	○	○	●
Tailgate – locking	●	–	–	–
– EZ Lift with power lock and release (requires available WT Convenience Package on WT)	○	●	●	●
Tire – full-size spare, 255/65R17 all-season	●	●	●	–
– full-size spare, 265/65R17 all-terrain	–	–	–	●
Tires – 255/65R17 all-season	●	●	–	–
– 255/65R17 all-terrain	–	–	●	–
– 265/65R17 Goodyear Wrangler DuraTrac® all-terrain (requires available Z71 Midnight Edition on Z71)	–	–	○	●
– 265/60R18 all-season (requires available 18" Dark Argent Metallic-painted aluminum wheels on WT; requires available 18" Dark Argent Metallic-painted aluminum wheels or Redline Edition on LT)	○	○	–	–
Wheels – 17" Ultra Silver Metallic-painted steel	●	–	–	–
– 17" Blade Silver Metallic-painted aluminum (requires available 4x4, Duramax 2.8L Turbo-Diesel I-4 engine and Fleet or Government order on WT)	○	●	–	–
– 17" bright machined-aluminum	–	–	●	–
– 17" Graphite and Oxide Gold aluminum	–	–	–	●
– 17" gloss Black-painted aluminum (requires available Z71 Midnight Edition on Z71; requires available ZR2 Dusk Special Edition or ZR2 Midnight Special Edition on ZR2)	–	–	○	○
– 17" AEV-designed Dark Graphite aluminum (requires available ZR2 Bison Edition)	–	–	–	○
– 18" Dark Argent Metallic-painted aluminum; includes 265/60R18 all-season tires (requires available Custom Special Edition on WT)	○	○	–	–
– 18" Black-painted aluminum with Red accents (requires available Redline Edition)	–	○	–	–
ZR2 Off-Road Package – taller and wider stance, Multimatic DSSV™ Damping System, off-road front fascia and rear bumper, fender flares and Chevrolet lettered grille with small flowtie emblem	–	–	–	●

¹ To avoid the risk of injury, never use recovery hooks to tow a vehicle. For more information, see the Recovery Hooks section of your Owner's Manual.

SPECIFICATIONS (CONTINUED)

● STANDARD ○ AVAILABLE – NOT AVAILABLE

	WT	LT	Z71	ZR2
INTERIOR				
Air conditioning – manual, single-zone	●	●	–	–
– automatic, single-zone (requires available Luxury Package on LT)	–	○	●	●
Console – front center floor	●	●	●	●
– overhead with sunglasses holder	–	●	●	●
Cruise control – electronic with Set and Resume Speed (requires available WT Convenience Package on WT)	○	●	●	●
Defogger – rear-window (requires available LT Convenience Package on LT)	–	○	●	●
Door locks – power programmable with lockout protection and rear door child security	●	●	●	●
Driver Information Center – monochromatic display	●	●	–	–
– enhanced with multi-color display (requires available Chevrolet Infotainment 3 Plus system ¹ with Navigation ² on LT)	–	○	●	●
Floor covering – Black vinyl (deletes front and rear carpeted floor mats; requires Extended Cab and Fleet or Government order on LT; not available with ZR2 Bison Edition on ZR2)	○	○	–	○
Floor mats – front and rear, carpeted (not available with ZR2 Bison Edition on ZR2)	●	●	●	●
Mirror – rearview, manual day/night	●	–	–	–
– rearview, auto-dimming	–	●	●	●
Remote Keyless Entry – extended-range (requires available WT Convenience Package on WT)	○	●	●	●
Remote vehicle starter system (requires available LT Convenience Package on LT)	–	○	●	●
Steering column – manual tilt	●	–	–	–
– manual tilt and telescopic	–	●	●	●
Steering wheel – leather-wrapped with mounted audio, cruise and phone controls	–	●	●	●
– heated (requires available heated front seats or Luxury Package on LT)	–	○	●	●
Visors – driver and front passenger, with passenger vanity mirror	●	–	–	–
– driver and front passenger, illuminated vanity mirrors	–	●	●	●
Window – sliding rear (requires available LT Convenience Package on LT)	–	○	●	●
Windows – power with driver express-up/-down, all others express-down	●	●	●	●

	WT	LT	Z71	ZR2
SEATING				
Seats – front bucket	●	●	●	●
– dual rear with underseat storage (Extended Cab models)	●	●	●	●
– rear seat delete (Extended Cab models) (requires available Black vinyl floor covering on WT; requires available Black vinyl floor covering and Fleet or Government order on LT)	○	○	–	–
– rear folding bench (Crew Cab models)	●	●	●	●
Seat – driver 4-way manual adjuster	●	–	–	–
– driver 6-way power adjuster	–	○	●	●
– driver power lumbar control (requires available heated front seats or Luxury Package on LT)	–	●	●	●
– front passenger 4-way power adjuster and power lumbar control	–	–	–	●
Heated front seats – includes driver power lumbar control and heated steering wheel (feature will not function on certain models without dealer retrofit; see dealer or window label for details) (requires available LT Convenience Package on LT)	–	○	○	○

¹ Chevrolet Infotainment System functionality varies by model. Full functionality requires compatible Bluetooth and smartphone, and USB connectivity for some devices. ² Map coverage available in the United States, Puerto Rico and Canada.

SPECIFICATIONS (CONTINUED)

● STANDARD ○ AVAILABLE – NOT AVAILABLE

	WT	LT	Z71	ZR2
ENTERTAINMENT				
Chevrolet Infotainment 3 system ¹ with 7-inch diagonal color touch-screen, AM/FM stereo, Bluetooth [®] audio streaming ² for two active devices, voice command pass-through to compatible phone, and Apple CarPlay ^{®3} and Android Auto ^{™4} compatibility	●	–	–	–
Chevrolet Infotainment 3 system ¹ with 8-inch diagonal color touch-screen, AM/FM stereo, Bluetooth audio streaming ² for two active devices, voice command pass-through to compatible phone, and Apple CarPlay ³ and Android Auto ⁴ compatibility	–	●	–	–
Chevrolet Infotainment 3 Plus system ¹ with 8-inch diagonal HD color touch-screen, AM/FM stereo, Bluetooth audio streaming ² for two active devices, voice command pass-through to compatible phone, Apple CarPlay ³ and Android Auto ⁴ compatibility, available Alexa Built-In ⁵ ; voice recognition, available In-Vehicle Apps ⁶ and Chevrolet Maps+ ⁷	–	–	●	●
Chevrolet Infotainment 3 Plus system ¹ with Navigation ⁸ and 8-inch diagonal HD color touch-screen, AM/FM stereo, Bluetooth audio streaming ² for two active devices, voice command pass-through to compatible phone, Apple CarPlay ³ and Android Auto ⁴ compatibility, available Alexa Built-In ⁵ ; SD card reader, enhanced voice recognition, additional memory for available In-Vehicle Apps ⁶ and Connected Navigation ⁹ ; includes Bose premium 7-speaker sound system; LT includes HD Rear Vision Camera ¹⁰ and enhanced multi-color Driver Information Center	–	○	○	○

	WT	LT	Z71	ZR2
ENTERTAINMENT (CONTINUED)				
Audio system – 6-speaker	●	●	●	●
– Bose premium 7-speaker sound system (requires available Chevrolet Infotainment 3 Plus system ¹ with Navigation ⁸)	–	○	○	○
Media – two USB ports ¹¹ and auxiliary input jack in front center floor console	●	●	●	●
– two USB ports, ¹¹ charge-only, on rear of front center floor console	–	●	●	●
SiriusXM ^{®12} – 3-month trial subscription	●	●	●	●
Available Wi-Fi [®] Hotspot ¹³ for up to seven devices, includes 1 month of unlimited data (requires available OnStar ¹⁴ on WT)	○	●	●	●
Chevrolet Connected Access ¹⁵ with 10 years of standard connectivity, which currently enables features such as Vehicle Diagnostics and Dealer Maintenance Notification (requires available OnStar ¹⁴ on WT)	○	●	●	●
Wireless charging ¹⁶	–	–	○	○

¹ Chevrolet Infotainment System functionality varies by model. Full functionality requires compatible Bluetooth and smartphone, and USB connectivity for some devices. ² Go to my.chevrolet.com/learnAbout/bluetooth to find out which phones are compatible with the vehicle. Full Bluetooth feature functionality varies by device, model and software version. ³ Vehicle user interface is a product of Apple and its terms and privacy statements apply. Requires compatible iPhone and data plan rates apply. ⁴ Vehicle user interface is a product of Google and its terms and privacy statements apply. Requires the Android Auto app on Google Play and a compatible Android smartphone. Data plan rates apply. You can check which smartphones are compatible at g.co/androidauto/requirements. ⁵ Functionality is subject to limitations and varies by vehicle, infotainment system and location. Select service plan required. Certain Alexa Skills require account linking to use. Visit onstar.com for additional details. ⁶ Third-party trademarks are the property of their respective third-party owners and used under agreement. Requires active service plan and paid AT&T vehicle data plan. Visit onstar.com for details and limitations. ⁷ U.S. only. Requires select service plan. Functionality is subject to user terms and limitations and varies by vehicle model. Visit onstar.com for details and limitations. ⁸ Map coverage available in the United States, Puerto Rico and Canada. ⁹ Connected Navigation and Real-time Points of Interest (POI) only available on properly equipped vehicles. Requires paid plan or trial. Map coverage available in the United States, Puerto Rico and Canada. Visit onstar.com for details and limitations. ¹⁰ Safety or driver assistance features are no substitute for the driver's responsibility to operate the vehicle in a safe manner. Read the vehicle Owner's Manual for important feature limitations and information. ¹¹ Not compatible with all devices. ¹² If you decide to continue service after your trial, your selected subscription plan will automatically renew thereafter. You will be charged at then-current rates. Fees and taxes apply. To cancel you must call SiriusXM at 1-866-635-2349. See SiriusXM Customer Agreement for complete terms at siriusxm.com. All fees and programming subject to change. ¹³ Service varies with conditions and location. Requires active service and paid AT&T data plan. Visit onstar.com for details and limitations. Availability subject to change. ¹⁴ When you select a monthly plan within 30 days of activating your 1-month trial, you'll receive the next 2 months of the plan you select at no additional charge when you associate an approved payment method on file to your account and authorize recurring payments for your service plan. The amount and frequency of each recurring payment is based upon the service(s) and payment interval(s) you select from the options provided. After the trial expires, OnStar will automatically bill your payment method monthly at then-current standard monthly rates. Plans containing 4G LTE data will be billed every 30 days by AT&T. You may cancel at any time by pushing your blue OnStar button or calling 1-888-466-7827. May not be combined with other offers or retroactively applied. Offer subject to change. ¹⁵ Standard connectivity available only to original purchaser for up to 10 years. Connected Access services are subject to change. Does not include emergency or security services. Diagnostic capabilities vary by model and service plan. Message and data rates may apply. Requires contact method on file and enrollment to receive alerts. Not all issues will deliver alerts. Visit onstar.com for details and limitations. ¹⁶ The system wirelessly charges one compatible mobile device. Some phones have built-in wireless charging technology and others require a special adaptor/back cover. To check for phone or other device compatibility, see my.chevrolet.com/learn or consult your carrier.

SPECIFICATIONS (CONTINUED)



Actual production vehicle may vary.

Custom Special Edition in Cherry Red Tintcoat (no longer available).



Redline Edition.



Z71 Midnight Edition.

● STANDARD ○ AVAILABLE – NOT AVAILABLE

	WT	LT	Z71	ZR2
PACKAGES AND SPECIAL EDITIONS				
Trailer Package	○	○	○	●
Trailer hitch, 7-pin and 4-pin connectors, and Hitch Guidance ¹ (standard on Crew Cab Long Box models; requires available 3.6L V6 engine and automatic locking rear differential on WT and LT; requires available Duramax 2.8L Turbo-Diesel I-4 engine on LT)				
Custom Special Edition	○	–	–	–
18" Dark Argent Metallic-painted aluminum wheels, 265/60R18 all-season tires, body-color center grille bar, rear bumper, door handles and mirror caps, and outside rearview mirror with driver spotter mirror (certain vehicles may be built with a painted Black grille bar; see dealer for details)				
WT Convenience Package	○	–	–	–
Remote Keyless Entry, theft-deterrent system with unauthorized entry, cruise control, and EZ Lift tailgate with power lock and release				
WT Appearance Package	○	–	–	–
Body-color door handles and body-color mirror caps (requires Fleet or Government order)				
Safety Package	–	○	○	–
Forward Collision Alert ¹ and Lane Departure Warning; ¹ includes Rear Park Assist ¹ on LT (feature will not function on certain models without dealer retrofit; see dealer or window label for details)				
Fleet Safety Package	–	○	–	–
Safety Package and Automatic Emergency Braking ¹ (LT 2WD requires 2.5L DOHC I-4 engine and Fleet or Government order; LT 4x4 requires Extended Cab, 2.5L DOHC I-4 engine and Fleet or Government order)				
Chrome Appearance Package	–	○	–	–
Chrome center grille bar, heated power-adjustable manual-folding mirrors with chrome caps, chrome door handles, chrome beltline moldings and chrome rear bumper				
LT Convenience Package	–	○	–	–
Fog lamps, heated power-adjustable body-color mirrors, remote vehicle starter system and sliding rear window with defogger				
Luxury Package (Crew Cab)	–	○	–	–
Projector-beam halogen headlamps, driver power lumbar control, heated steering wheel, single-zone automatic climate control and heated front seats (feature will not function on certain models without dealer retrofit; see dealer or window label for details) (requires available LT Convenience Package and leather-appointed front seating surfaces)				
Redline Edition	–	○	–	–
18" Black-painted aluminum wheels with Red accents, Black bowtie emblem, Black center grille bar, 3-inch round Black off-road assist steps, Black Out Exterior Trim Package, Black spray-on bedliner and Red recovery hooks ² (available with Summit White, Satin Steel Metallic or Black exterior colors)				
Z71 Midnight Edition	–	–	○	–
Black exterior color, 17" gloss Black-painted aluminum wheels, Goodyear Wrangler DuraTrac [®] tires, Z71 door emblem, Black spray-on bedliner, and all-weather floor liner with Chevrolet logo				

¹ Safety or driver assistance features are no substitute for the driver's responsibility to operate the vehicle in a safe manner. Read the vehicle Owner's Manual for important feature limitations and information. ² To avoid the risk of injury, never use recovery hooks to tow a vehicle. For more information, see the Recovery Hooks section of your Owner's Manual.

SPECIFICATIONS (CONTINUED)



ZR2 Bison Edition.



ZR2 Dusk Special Edition.



ZR2 Midnight Special Edition.

● STANDARD ○ AVAILABLE – NOT AVAILABLE

	WT	LT	Z71	ZR2
PACKAGES AND SPECIAL EDITIONS (CONTINUED)				
ZR2 Bison Edition	-	-	-	○
17" AEV-designed aluminum wheels and spare wheel, AEV front bumper with winch provisions and AEV rear bumper with recovery points, AEV hot-stamped boron steel skid plates for front differential, engine oil pan, transfer case, fuel tank and rear differential, AEV fender flares, fog lamps, front and rear floor liners with AEV logo, and AEV embroidered head restraints (available with Summit White, Satin Steel Metallic, Sand Dune Metallic or Black exterior colors)				
ZR2 Dusk Special Edition	-	-	-	○
17" gloss Black-painted aluminum wheels and spare wheel, off-road lights, and sport bar with ZR2 logo				
ZR2 Midnight Special Edition	-	-	-	○
Black exterior color, 17" gloss Black-painted aluminum wheels and spare wheel, off-road lights, and sport bar with ZR2 logo				

SPECIFICATIONS (CONTINUED)

MAXIMUM CAPACITIES

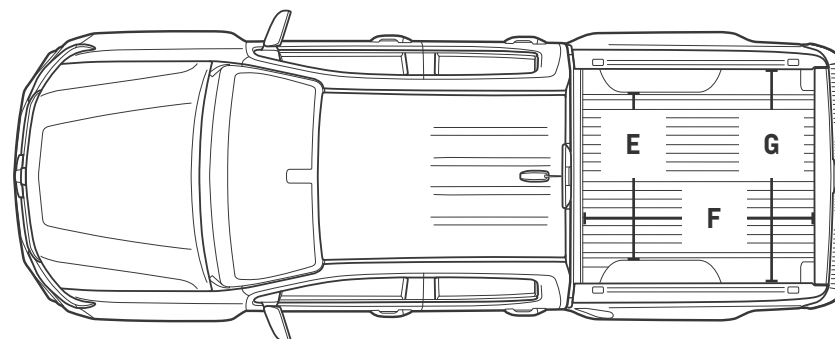
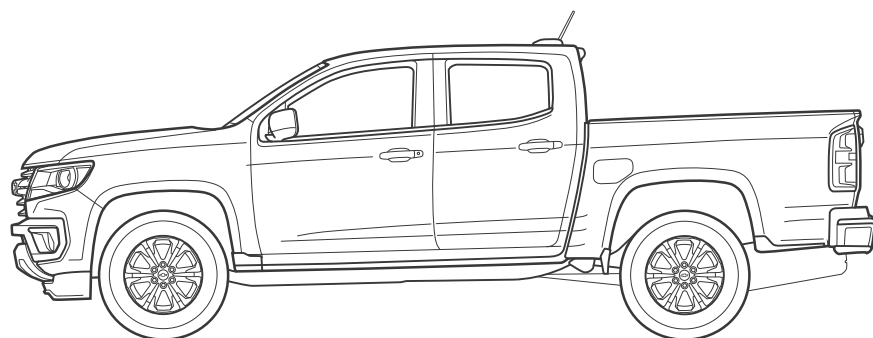
	EXTENDED CAB	CREW CAB
Fuel tank (approximate)	21 gallons	21 gallons
Cargo volume ¹	49.9 cubic feet	41.3 cubic feet – Short Box 49.9 cubic feet – Long Box

DIMENSIONS

	EXTENDED CAB	CREW CAB
A – Wheelbase	128.3" 128.5" – ZR2	128.3" – Short Box 128.5" – ZR2 140.5" – Long Box
B – Height	70.4" – 2WD 70.3" – 4x4 72.4" – ZR2	70.7" – 2WD Short Box 70.6" – 2WD Long Box, 4x4 Short Box 70.5" – 4x4 Long Box 72.5" – ZR2
C – Width	62.4" 65.9" – ZR2	62.4" 65.9" – ZR2

	EXTENDED CAB	CREW CAB
D – Length	212.7" 212.4" – ZR2	212.7" – Short Box 212.7" – ZR2 224.9" – Long Box
Front track	83.9"	83.9"
Rear track	62.4" 65.9" – ZR2	62.4" 65.9" – ZR2
E – Inside width between wheelhousings	44.4"	44.4"
F – Inside bed length at floor	74.0"	61.7" – Short Box 74.0" – Long Box
G – Bed width wall to wall	57.8"	57.8"

	EXTENDED CAB	CREW CAB
Head room (front/rear)	41.4"/36.7"	41.4"/38.3"
Leg room (front/rear)	45.0"/28.6"	45.0"/35.8"
Shoulder room (front/rear)	57.5"/57.3"	57.5"/56.2"
Hip room (front/rear)	55.0"/52.2"	55.0"/53.3"



¹ Cargo and load capacity limited by weight and distribution.

Always ready for overtime.

You know what Chevrolet Commercial Vehicles call 9 to 5? A decent start. Our lineup is ready to make light work of a long week, led by the powerful and dependable Silverado 1500 and Silverado HD, plus Silverado 3500 HD Chassis Cab. And let's not forget the strength of medium-duty Silverado 4500 HD/5500 HD/6500 HD Chassis Cabs, the maneuverability of the Low Cab Forward series and the utility of Express Vans. It all adds up to an unbeatable crew that never stops working.



**COMMERCIAL
VEHICLES**



COMMERCIAL PROGRAMS

OnStar Business Solutions

OnStar Business Solutions is a family of products that offers insight to find efficiencies, foresight to make better decisions, and confidence in knowing your people and your assets are protected and connected. Learn more at onstar.com/BusinessSolutions.

Manage the way your business moves with OnStar Vehicle Insights™¹ by OnStar Business Solutions. You can see your fleet in real time and receive actionable information to make more informed decisions. Learn more at onstarvehicleinsights.com.

Business Choice

This program² can give you the best value on the vehicles you count on. Business Choice includes a cash allowance on either GM Accessories or Upfits,³ and you can even add the most current retail offers to your deal. Learn more at chevrolet.com/business-choice-offers.

Business Elite Dealers

These specialized dealers provide the know-how to help you select the right vehicles for the job. Plus, every Business Elite service department has the facilities, tools and technicians for your needs. Learn more at chevrolet.com/commercial/business-elite.



¹ Terms apply. Available on select properly equipped 2015 model year and newer GM vehicles (excludes Volt, Low Cab Forward Trucks and GM vehicles built without OnStar Hardware, which includes but is not limited to select base Chevrolet and GMC trucks). Requires an active connected vehicle services plan. Fees, services, and availability subject to change without notice. Applicable taxes not included. Does not include emergency or security services. Diagnostics capabilities vary by vehicle model. Not all issues will deliver alerts. See onstarvehicleinsights.com for details and limitations. ² The 2022 Business Choice Program is valid from September 10, 2021, to January 2, 2023. Customer must purchase or lease their vehicle during the program period and be prepared to provide proof of business ownership. Vehicle must be used in the day-to-day operations of the business and not solely for transportation purposes. This program may not be compatible with other offers or incentive programs. Consult with your GM dealer for program compatibility and other restrictions. For complete program requirements, including information regarding offers, vehicles, equipment, options, warranties, and ordering, consult your GM dealer. To qualify, vehicle must be used in the day-to-day operations of your business and not solely for personal/non-business-related transportation purposes. Proof of business ownership may be required. Not available with some other offers. For complete program requirements, including information regarding offers, vehicles, equipment, options, warranties, and ordering, consult your GM dealer. Take delivery by January 2, 2023. See dealer for details. ³ Equipment from independent suppliers is not covered by the GM New Vehicle Limited Warranty. GM is not responsible for the safety or quality of independent supplier alterations.

IMPORTANT INFORMATION



You may also want to consider Silverado 1500. For more details, go to chevrolet.com/silverado.

Every step of the way.

You may be discovering Chevrolet through a personalized online shopping experience or enjoying every year of vehicle ownership. Either way, we're committed to providing the tools and programs you need to help you get the most out of your journey.

Build & Price >

Create your perfect Chevrolet from start to finish.

Chevy MyWay¹ >

Engage in a real-time virtual video experience with a Chevy product specialist.

Chevrolet Complete Care >

Enjoy an owner benefit program that provides excellent service and support from day one.

Chevy Truck Legends >

Honoring our dependable, long-lasting trucks and the people who keep them going strong.

Limited Warranty Coverage >

Discover all the ways Chevrolet is committed to providing an excellent ownership experience.



GM, the GM logo, Chevrolet, the Chevrolet logo, and the slogans, emblems, vehicle model names, vehicle body designs and other marks appearing in this brochure are the trademarks and/or service marks of General Motors, its subsidiaries, affiliates or licensors. ©2022 OnStar LLC. All rights reserved. Sirius, XM, SiriusXM and all related marks and logos are trademarks of Sirius XM Radio Inc. Amazon, Alexa and all related marks are trademarks of Amazon.com, Inc. or its affiliates. Apple CarPlay, iPhone, Siri and Apple Music are trademarks of Apple Inc., registered in the U.S. and other countries. The Bluetooth word mark is a registered trademark owned by Bluetooth SIG, Inc., and any use of such mark by Chevrolet is under license. Bose is a registered trademark of the Bose Corp. Goodyear and Wrangler DuraTrac are registered trademarks of The Goodyear Tire & Rubber Company. Android, Google Play and Android Auto are trademarks of Google LLC.

©2022 General Motors. All rights reserved. October 2022

FIND NEW ROADS™

CHEVROLET.COM

¹ Chevy MyWay is available to anyone over 18 in the United States to access and experience via chevrolet.com/myway.